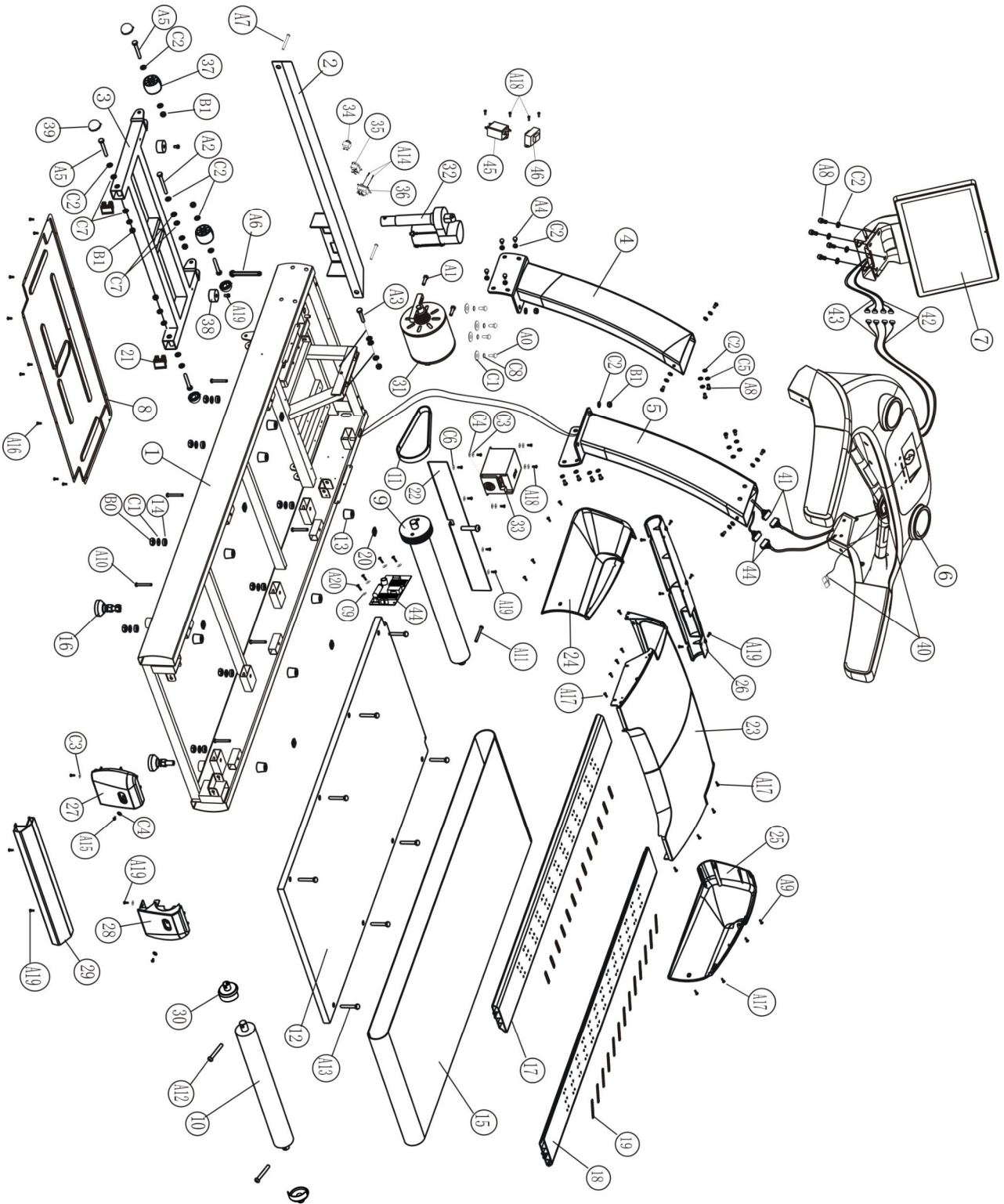


Explored drawing



Parts List

No.	Description	Qty
1	Base frame	1
2	Switch base frame	1
3	Incline frame	1
4	Left upright tube	1
5	Right upright tube	1
6	Handlebar and controller	1
7	Display screen	1
8	Motor bottom cover	1
9	Front roller	1
10	Rear roller	1
11	10 V belt	1
12	Running board	1
13	Running board cushion	8
14	Rubber mat	8
15	Running belt	1
16	Universal wheel mat	2
17	Left side rail	1
18	Right side rail	1
19	Non-slip colloidal particles	84
20	Position nut	6
21	Shock absorption mat	4
22	Baffle plate	1
23	Motor top cover	1
24	Motor left cover	1
25	Motor right cover	1
26	Motor front cover	1
27	Left end cap	1
28	Right end cap	1
29	Middle end cap	1
30	Rear roller cap	2
31	Motor (AC)	1
32	Incline motor	1
33	Frequency changer (AC)	1
34	Overload protection switch	1
35	Power switch	1
36	socket	1
37	wheel	2
38	cushion	2
39	Nut cap	4
40	Safety key, emergency button assembly	1

No.	Description	Qty
41	Signal wire A	3
42	Signal wire B	2
43	Signal wire C	2
44	power panel	1
45	Filter	1
46	Inductor	1
A1	Bolt M8X55	1
A2	Bolt M10X95	1
A3	Bolt M10X55	1
A4	Bolt M10X25	8
A5	Bolt M10X75	4
A6	Bolt M10X165	2
A7	Half-round bolt M8X20	2
A8	Half-round bolt M10X20	10
A9	Crosshead self-lock bolt ST4X30	2
A10	Half-round bolt M8X45	6
A11	Round bolt M10X60	2
A12	Round bolt M10X90	2
A13	Crosshead bolt M8X70	8
A14	Crosshead bolt M3X8	2
A15	Crosshead bolt M5X40	2
A16	Crosshead bolt M5X20	2
A17	Crosshead self-lock bolt ST4X16	27
B1	Hexagon Nut M8	8
B2	Nylon lock nut M5	2
B3	Nylon lock nut M8	8
B4	Nylon lock nut M10	14
C1	Flat washer ϕ 8	8
C2	Flat washer ϕ 10	24
C3	Big flat washer ϕ 10	4
C4	Flat washer ϕ 5	2
C5	Spring washer ϕ 10	10
C6	Spring washer ϕ 5	2
C7	Nylon Washer ϕ 10	4
D1	Wrench	1
D2	Screwdriver	1
D3	Wrench (s=6)	1
D4	Wrench (s=8)	1
D5	Lubricant bottle	1